



Round Type 125KHz ASK EM / FSK HC Proximity Reader

PP-30

Easy to install!
Waterproof!



PC-30 Access Controller

- 64 legal cards can be registered thru simple learning.
- Setting for Access/ Security/ Open-door functions.



Introduction

PP-30 are 125KHz ASK EM / FSK HC mini proximity reader. It can be applied for elevator control, access control and time attendance. PP-30 with waterproof & dustproof elegant appearance and it can easy to install in any device. PP-30 own off-line mode and can connect with on-line controller to configure complete proximity elevator control & Access control & Time attendance management system. For different product output format, please refer to "Ordering information" for model selection.

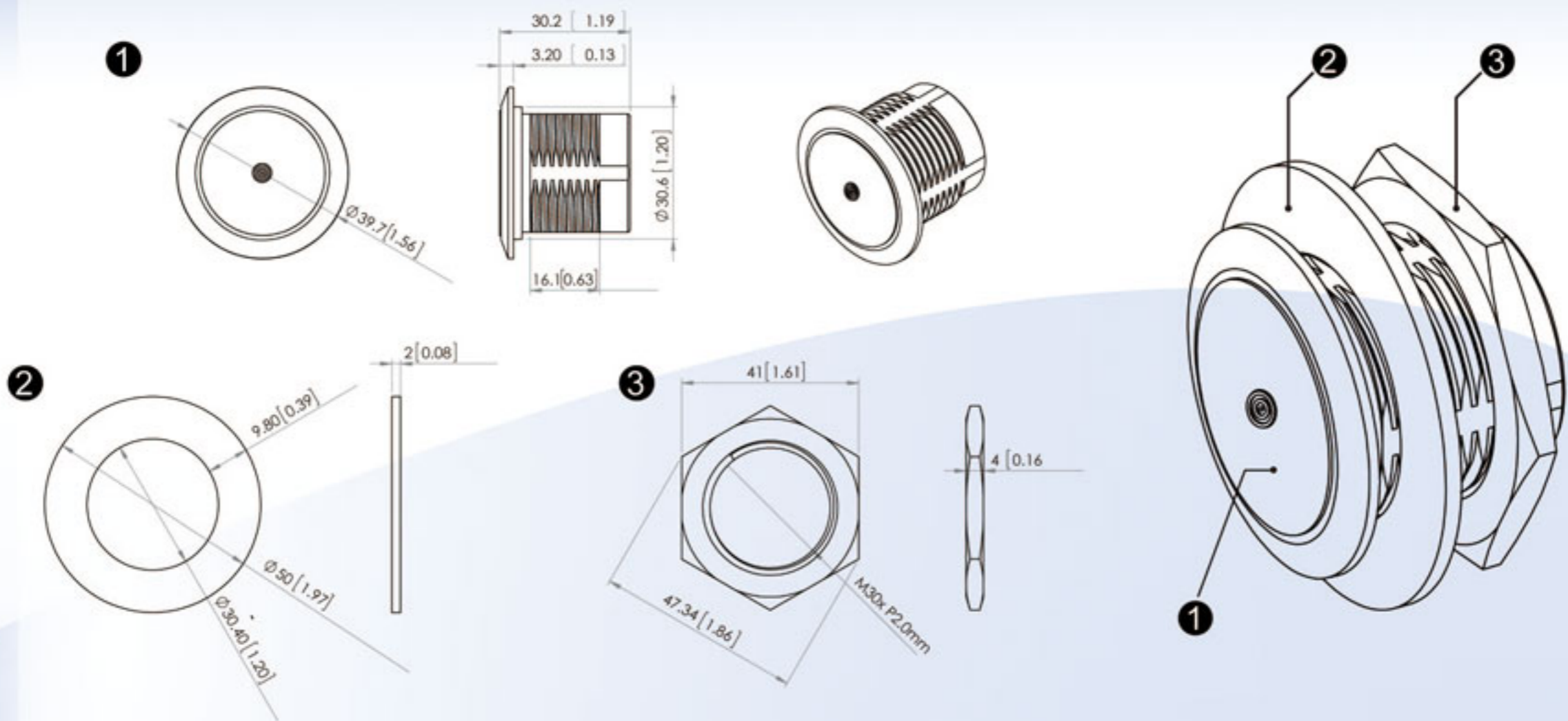
Features

- With bi-color power and status LED indication.
- Built-in buzzer sound.
- Built-in CPU watch dog device to prevent the shot down.
- System Support :
 1. It can connect with wiegand signal device.
 2. It can connect Pongee's off-line and on-line controller.Off-line system : PP-87 or 5878G , 378 series controller.
On-line system : It can come with PP-6750V controller or
PP-85 , PP-35 , PP-36 , PP-3790 , PP-3702T series controller/reader.



Notice: Metal device might affect the reading distance, please avoid installing this reader near metal device.

Dimension: Unit:mm[inch]



Specification

RFID frequency	125KHz ASK		125KHz FSK
Applicable cards	EM 4001, EM 4102 or compatible / TEMIC 5557		HC or compatible
Reading range	Card	1.8mm	7 ± 1 cm
		0.8mm	6 ± 1 cm
Output format	Wiegand 26 / 34 / 40bits, ABA, UART		
Power input	9~12V DC		
Standby / Working current	48mA±10% @12V DC / 52mA±10% @12V DC		
Material	PC		
Weatherproof/dustproof	IP 54		
Dimensions(L) ×(W) ×(H) mm/inch	39.7 / 1.56(Diameter)		
Installation Diameter	31mm / 1.22inch		
Operating temperature	-10°C~70°C		
Storage temperature	-20°C~85°C		

Ordering information

- PP-30NW26 : Round type 125KHz ASK EM Proximity reader, Wiegand 26 bits
 - PP-30NW34 : Round type 125KHz ASK EM Proximity reader, Wiegand 34 bits
 - PP-30NW40 : Round type 125KHz ASK EM Proximity reader, Wiegand 40 bits
 - PP-30NT : Round type 125KHz ASK EM Proximity reader, UART
 - PP-30NR2 : Round type 125KHz ASK EM Proximity reader, RS-232
 - PP-30NA : Round type 125KHz ASK EM Proximity reader, ABA
 - PP-30HW26 : Round type 125KHz FSK HC Proximity reader, Wiegand 26 bits
 - PP-30HW34 : Round type 125KHz FSK HC Proximity reader, Wiegand 34 bits
 - PP-30HW40 : Round type 125KHz FSK HC Proximity reader, Wiegand 40 bits
 - PP-30HT : Round type 125KHz FSK HC Proximity reader, UART
 - PP-30HR2 : Round type 125KHz FSK HC Proximity reader, RS-232
 - PP-30HA : Round type 125KHz FSK HC Proximity reader, ABA
- ※ Other customer request specifications are welcomed.

PONGEE INDUSTRIES CO., LTD.

5F., No.738, Chung-Cheng Rd., Chung-Ho District, New Taipei City 23511, Taiwan

Tel : 886-2-82280198

Fax : 886-2-82280191

E-mail : pongee@pongee.com.tw

Website: <http://www.pongee.com>

We reserve the right to change the specification without prior notice or obligation!

