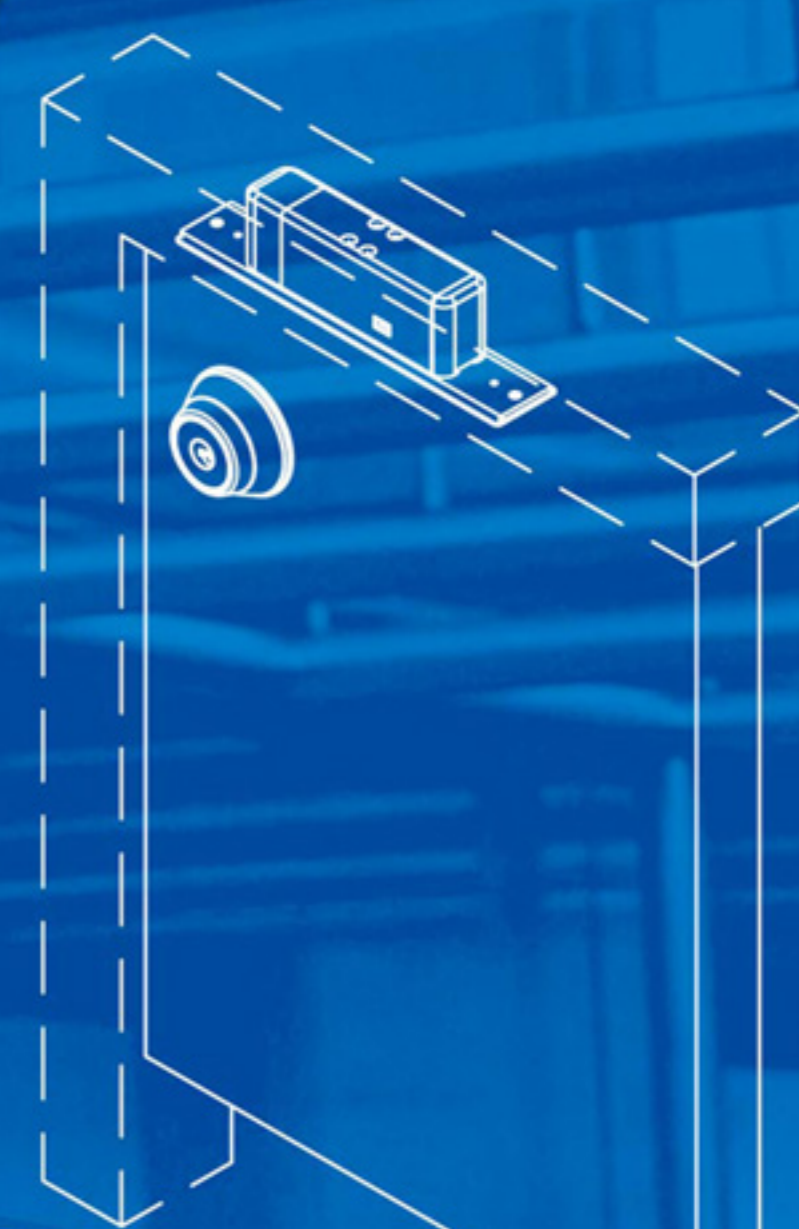
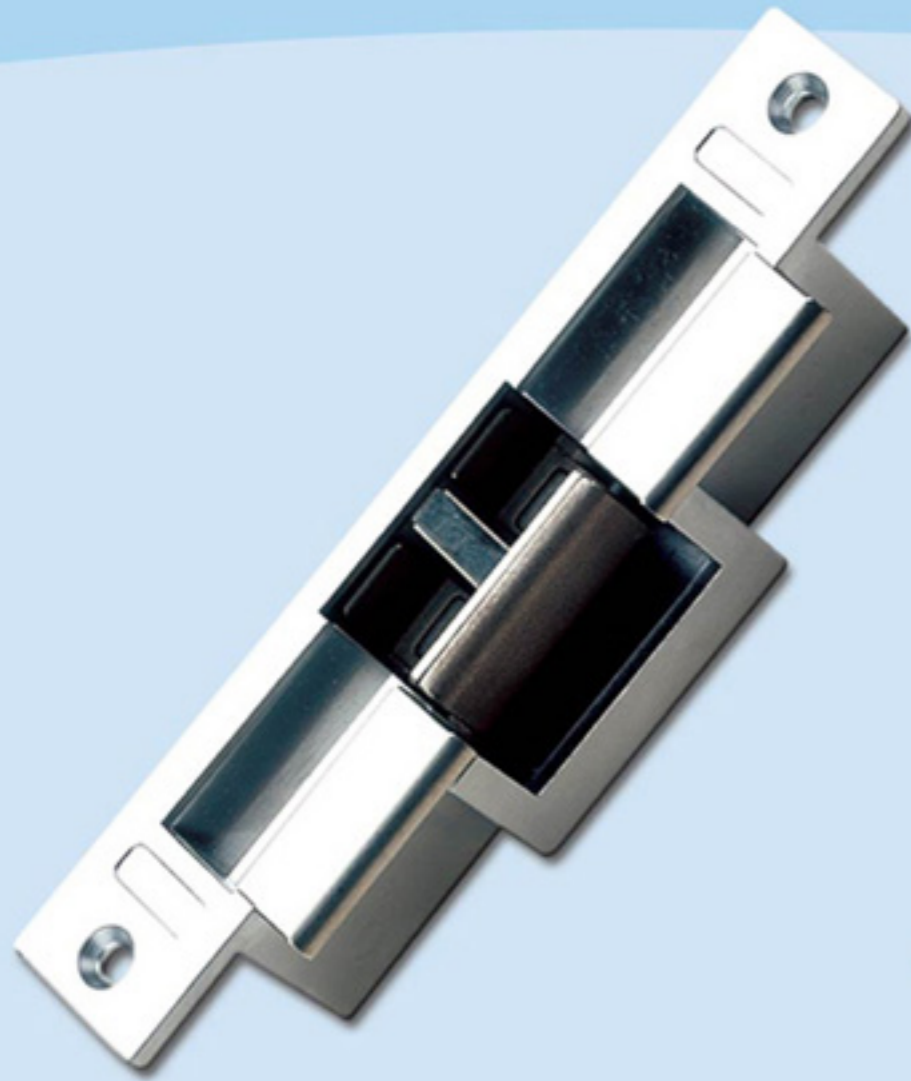




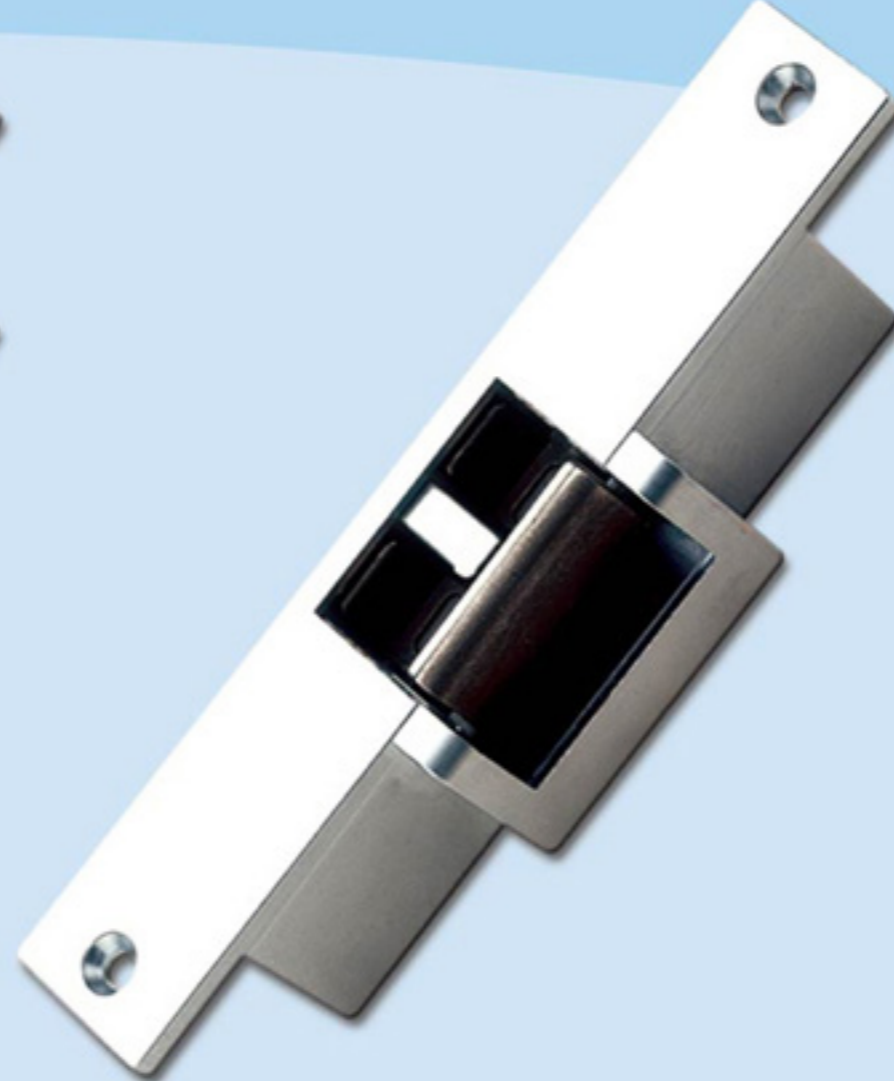
# Electric Strike, Power Bolt & Mechanical Lock For Security System



CAT:110110



PGS-701A  
PGS-702A



PGS-701B  
PGS-702B  
PGS-703  
PGS-704



MK-338

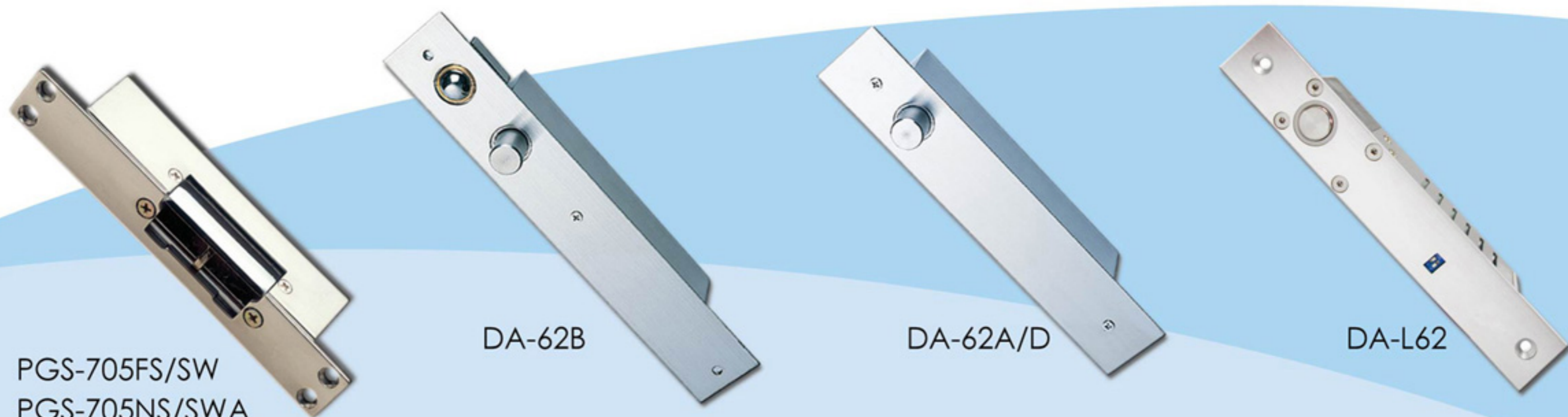


MK-738

## SPECIFICATIONS

Model No.	PGS-701A	PGS-701B	PGS-702A	PGS-702B	PGS-703	PGS-704	MK-338	MK-738
Lock size L x W x D (mm)	150 x 34 x 32	150 x 34 x 32	150 x 34 x 32	150 x 34 x 32	150 x 34 x 32	150 x 34 x 32	130 x 87 x 55	130 x 87 x 58
Approx. weight	420g±1%	420g±1%	420g±1%	420g±1%	430g±1%	430g±1%	660g±1%	630g±1%
Nominal voltage	DC 12V	DC 12V / 24V	DC 12V	DC 12V / 24V	DC 12V / 24V	DC 12V / 24V	—	—
Standby current	0 mA	0 mA	120 mA	120mA (12V) 60mA(24V)	0 mA	120mA (12V) 60mA(24V)	—	—
Working current	120 mA	120mA (12V) 60mA(24V)	0 mA	0 mA	120mA (12V) 60mA(24V)	0 mA	—	—
Temp. range	-20°C~70°C	-20°C~70°C	-20°C~70°C	-20°C~70°C	-20°C~70°C	-20°C~70°C	—	—
Power consumption	1.5W	1.5W	1.5W	1.5W	1.5W	1.5W	—	—
Features	*Fail secured type (Released as energized)		*Fail safe type (Lock as energized)		*Fail secured type (Released as energized)	*Fail safe type (Lock as energized)	*Square type dead bolt mechanical lock. *Could be released by key or knob.	*Mortise type dead bolt mechanical lock. *Could be released by key or knob.
	*Could be continuously energized. *For heavy duty door. *With door monitoring switch.							
Material	Zinc alloy							
Operation	Pair with MK-338 square type dead bolt mechanical lock.				Pair with MK-738 mortise type dead bolt mechanical lock & cylindrical lock.		Pair with PGS-701A PGS-701B PGS-702A PGS-702B	Pair with PGS-703 PGS-704
Applications	For aluminum steel or wooden door, brass door.						For aluminum or steel door.	

Voltage tolerance – 5%~+10%



PGS-705FS/SW  
PGS-705NS/SWA

DA-62B

DA-62A/D

DA-L62

**Standby current 18mA only**



PGS-706NS  
PGS-706NS/SW

DA-64  
Power and state LED  
with patent  
**(Fail safe type/Fail secure type)**

DAR-24  
Deadbolt releaser  
with patent  
**(For Fail secure type)**

DA-70  
**(Including auxiliary bracket)**

## SPECIFICATIONS

Model No.	PGS-705FS/SW	PGS-705NS/SWA	PGS-706NS/SW	DA-62B	DA-62A/D	DA-L62	DA-64	DA-70	
Lock size L x W x D (mm)	153 x 25 x 30	153 x 25 x 30	150 x 30 x 30	228 x 38 x 44	205 x 38 x 44	205 x 32 x 43	204 x 33 x 45	205 x 38 x 43	
Approx. weight	310g±1%	310g±1%	360g±1%	1000g±1%	1000g±1%	900g±1%	675g±1%	2000g±1%	
Nominal voltage	DC 12V / 24V	DC 12V / 24V	DC 12V / 24V	DC 12V	DC 12V	DC 12V	DC 9V~12V	DC 12V	
Standby current	200mA (12V) 100mA (24V)	0 mA	0 mA	310 mA	310 mA	380mA	18mA	220mA	
Working current	0 mA	200mA (12V) 100mA (24V)	200mA (12V) 100mA (24V)	1040 mA	1040 mA	900mA	440mA	650mA	
Temp. range	-20°C~70°C	-20°C~70°C	-20°C~70°C	-20°C~70°C	-20°C~70°C	-20°C~70°C	-20°C~70°C	-20°C~70°C	
Power consumption	2.4W	2.4W	2.4W	3.7W(standby) 12.5W(work)	3.7W(standby) 12.5W(work)	4.6W(standby) 10.8W(work)	0.2W(standby) 5.3W(work)	2.6W(standby) 7.8W(work)	
Features	*Fail safe type. *Release as power off. *Could be continuously energized. *For light duty door. *Without decoration cover. *With door monitoring switch.	*Fail secure type. *Released as energized. *Could be continuously energized. *For light duty door. *Without decoration cover. *With door monitoring switch.		*Fail safe type. *Release as power off. *With micro switch for sensing door position. *With electronics control for over heating.			*Fail safe type.	*Fail secure type.	*Fail safe type.
	Material			Zinc alloy					
Operation	Pair with tilt dead bolt mechanical lock.			Drop to hold positioning by micro switch	Drop to hold positioning by magnet				
Applications	For aluminum or wooden door.			As auxiliary lock for emergency door, swing glass sheet door				For automatic or skid door	
Accessories				Please refer to accessories section in the catalogue				Transformer, micro switch	

Voltage tolerance - 5%~+10%



PGL-600



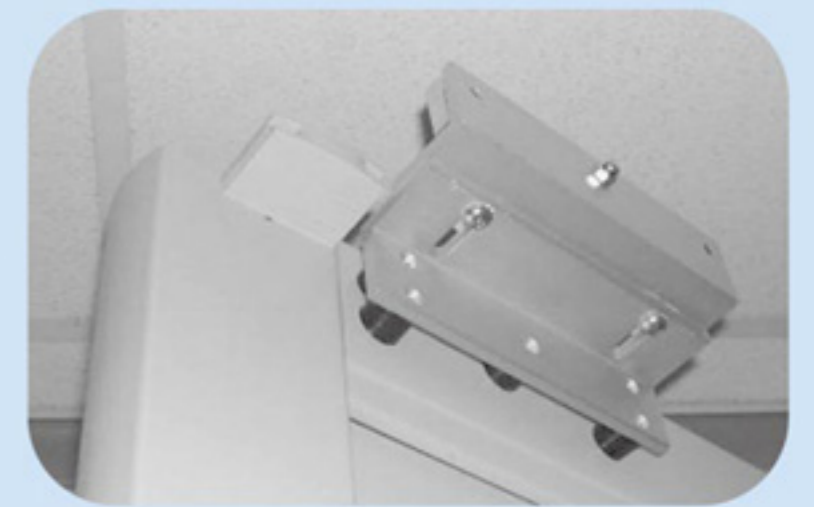
PGL-600F



PGL-180



PGL-180F



## SPECIFICATIONS

Model No.	PGL-600	PGL-600F	PGL-180	PGL-180F
Magnet size L x W x D (mm)	203 x 63 x 42	225 x 65 x 42	164 x 35 x 26	164 x 35 x 26
Armature size L x W x D (mm)	185 x 61 x 16	185 x 61 x 16	130 x 32 x 10	130 x 32 x 10
Holding force(Lbs/Kgs)	1300 Lbs/600Kgs	1300 Lbs/600Kgs	400 Lbs/180Kgs	400 Lbs/180Kgs
Voltage/Current (DC)	12V/500mA	12V/500mA	12V/370mA	12V/370mA
	24V/250mA	24V/250mA	24V/185mA	24V/185mA
Door monitoring	YES	YES	NO	NO
Relay dry contact rating	1A 24VDC/AC	1A 24VDC/AC	NO	NO
Weather proof	YES	YES	YES	YES
Unit weight (Approx.)	5.0kgs±1%	5.0kgs±1%	1.5kgs±1%	1.5kgs±1%
Accessories	Please refer to accessories section in the catalogue			

Voltage tolerance – 5%~+10%

\* PGL-600 、PGL-180 for In-swing door  
PGL-600F 、PGL-180F for Out-swing door



PML-150  
PML-151

PML-1100  
PML-1101

PML-2100  
PML-2101

## SPECIFICATIONS

Model No.	PML-150	PML-151	PML-1100	PML-1101	PML-2100	PML-2101
Magnet size L x W x D (mm)	166 x 38.5 x 21	166 x 38.5 x 21	250 x 47x 26	250 x 47x 26	266 x 73 x 40	266 x 73 x 40
Armature size L x W x D (mm)	130 x 32 x 10	130 x 32 x 10	185 x 38 x 11	185 x 38 x 11	185 x 61 x 16	185 x 61 x 16
Holding force(Lbs/Kgs)	330 Lbs/150Kgs	330 Lbs/150Kgs	550 Lbs/250Kgs	550 Lbs/250Kgs	1100 Lbs/500Kgs	1100 Lbs/500Kgs
Voltage/Current (DC)	12V/370mA 24V/185mA	12V/370mA 24V/185mA	12V/500 mA 24V/250mA	12V/500mA 24V/250mA	12V/500mA 24V/250mA	12V/500mA 24V/250mA
Door monitoring	NO	YES	NO	YES	NO	YES
Timer (LED)	NO	NO	NO	YES	NO	YES
Relay dry contact rating	NO	1A 24VDC/AC	NO	500mA 24VDC/AC	NO	500mA 24VDC/AC
Weather proof	NO	NO	NO	NO	NO	NO
Unit weight (Approx.)	1kgs±1%	1kgs±1%	2kgs±1%	2kgs±1%	5kgs±1%	5kgs±1%
Accessories	Please refer to accessories section in the catalogue					

Voltage tolerance – 5%~+10%



PML-1100/M  
PML-1101/M

PML-3100  
PML-3101

PML-4100  
PML-4101

## SPECIFICATIONS

Model No.	PML-1100/M	PML-1101/M	PML-3100	PML-3101	PML-4100	PML-4101
Magnet size L x W x D (mm)	230 x 38 x 27	230 x 38 x 27	500 x 42 x 26	500 x 42 x 26	532 x 73 x 40	532 x 73 x 40
Armature size L x W x D (mm)	185 x 38 x 11	185 x 38 x 11	185 x 38 x 11	185 x 38 x 11	185 x 61 x 16	185 x 61 x 16
Holding force (Lbs/Kgs)	550 Lbs/250Kgs	550 Lbs/250Kgs	1100 Lbs/500Kgs	1100 Lbs/500Kgs	2200Lbs/1000Kgs	2200Lbs/1000Kgs
Voltage/Current (DC)	12V/500mA 24V/250mA	12V/500mA 24V/250mA	12V/500mA 24V/250mA	12V/500mA 24V/250mA	12V/500mA 24V/250mA	12V/500mA 24V/250mA
Door monitoring	NO	YES	NO	YES	NO	YES
Timer (LED)	NO	YES	NO	YES	NO	YES
Relay dry contact rating	NO	500mA24VDC/AC	NO	500mA 24VDC/AC	NO	500mA 24VDC/AC
Weather proof	NO	NO	NO	NO	NO	NO
Unit weight (Approx.)	2kgs±1%	2kgs±1%	4kgs±1%	4kgs±1%	10kgs±1%	10kgs±1%

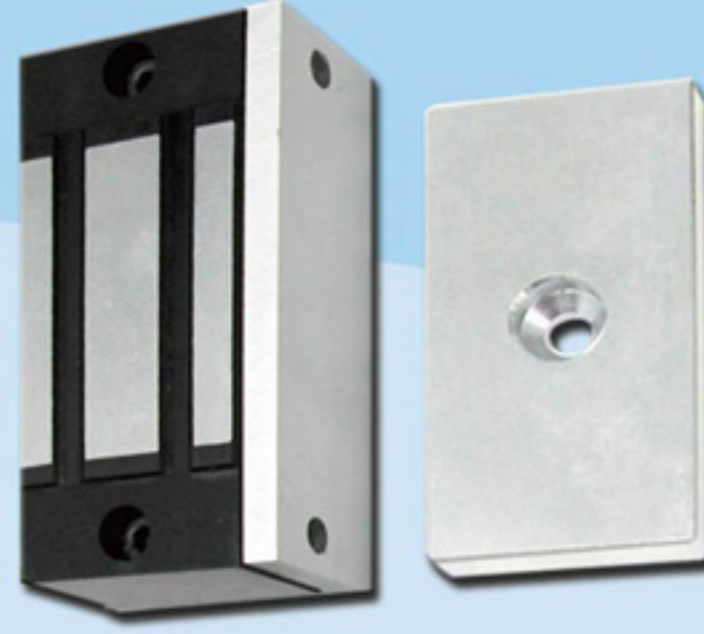
Accessories

Please refer to accessories section in the catalogue

Voltage tolerance – 5%~+10%



PML-001



PML-080



PML-S1015  
(Shear Lock)

## SPECIFICATIONS

Model No.	PML-001	PML-080	PML-S1015
Voltage/Current	12V/200mA 24V/100mA	12VDC~26VDC 60mA~130mA	Operation Current : 900mA/12VDC Holding Current : 220mA/12VDC Operation Current : 900mA/24VDC Holding Current : 190mA/24VDC
Magnet size L x W x D (mm)	100x38x38	70x31x20	182x30x24
Armature size L x W x D (mm)	75x32x10	60x32x8	182x30x23.6
Holding force (Lbs/Kgs)	180Lbs/80Kgs	100Lbs~145Lbs 45Kgs~66Kgs	1200Kgs
Unit weight (Approx.)	1kgs±1%	0.4kgs±1%	1.2kgs±1%



PG-BUTN-21100 Without LED  
5(H)x75(W)x120(L)mm



PG-BUTN-21110/1 Without LED  
5(H)x75(W)x120(L)mm



PG-BUTN-21111R/1 With LED  
5(H)x75(W)x120(L)mm



PG-BUTN-21112G/1 With LED  
5(H)x75(W)x120(L)mm



PG-BUTN-21113B/1 With LED  
5(H)x75(W)x120(L)mm

Just one touch



PG-BUTTON-13  
PG-BUTTON-13/RB  
Standby: Blue LED Work: Red LED  
8.5(H)x42(W)x115(L)mm  
Touch Button



PG-BUTTON-07(silver) With LED  
PG-BUTTON-07/N Without LED  
PG-BUTTON-08(gold) With LED  
PG-BUTTON-08/N Without LED  
5(H)x42(W)x115(L)mm



PG-BUTTON-09 With LED  
PG-BUTTON-09/N Without LED  
5(H)x70(W)x115(L)mm



PG-BUTTON-010 With LED  
PG-BUTTON-010/N Without LED  
5(H)x70(W)x115(L)mm

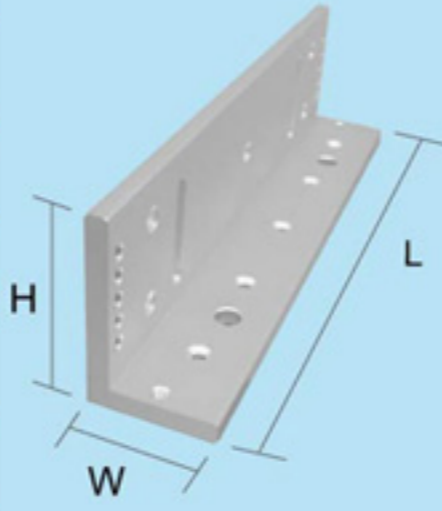


PG-BUTTON-09/IR With IR Sensor  
5(H)x70(W)x115(L)mm

## Accessories for Electromagnetic Locks

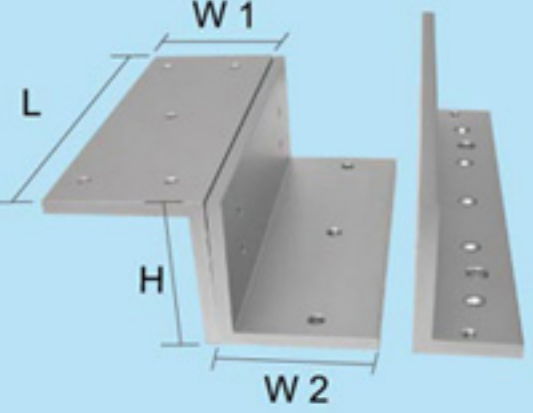
### L type adjustable bracket

Operation	Model No.	Dimension (LxWxH)mm
PML-2100 / PML-2101 PML-4100 / PML-4101	PG-BLO210A	266 x 48 x 75
PML-1100 / PML-1101 PML-3100 / PML-3101	PG-BLO110A	250 x 33 x 51
PGL-600	PG-BLO600	205 x 48 x 75
PGL-600F	PG-BLO600F	225 x 48 x 75
PGL-180 / PGL-180F	PG-BLO180	165 x 29 x 43
PML-150 / PML-151	PG-BLO151	165 x 29 x 43





### L&Z fixed bracket

Model No.	Dimension (LxW1xW2xH)mm
PG-BLZ210A	190 x 72 x 72x 72
PG-BLZ110A	190 x 50 x 50 x 50
PG-BLZ600	190 x 72 x 72x 72
PG-BLZ600F	190 x 72 x 72x 72
PG-BLZ180	166 x 43 x 50 x 50
PG-BLZ151	166 x 43 x 50 x 50

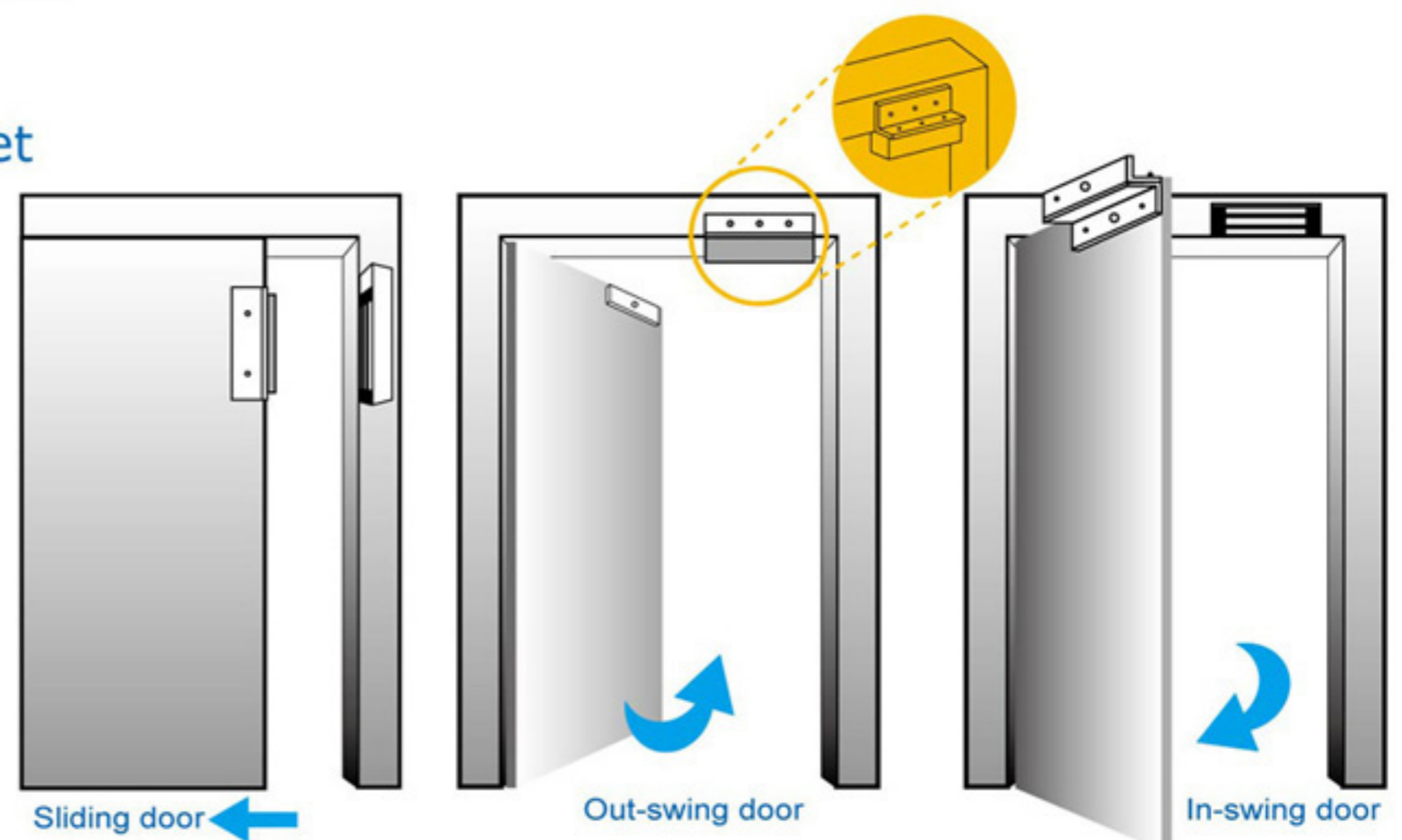


For aluminum steel or wooden door, brass door, glass door with frame

### U type bracket

Model No.	PG-BUO110	PK-EM250
Appearance		
Applications	Glass door without frame	PML-1100/PML-1101 All kinds of doors
Dimension (LxWxH)mm	190 x 30 x 45	190 x 16 x 44

### Magnetic lump bracket



## Accessories for Power Bolts

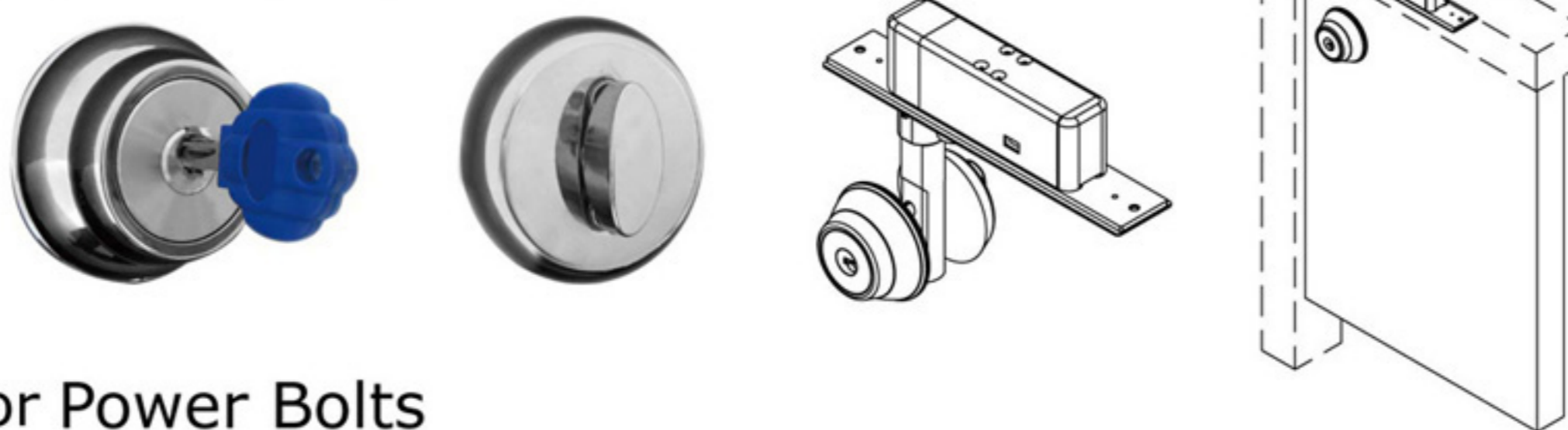
### DAR-24 Deadbolt releaser (For Fail secure type)

**Features:**







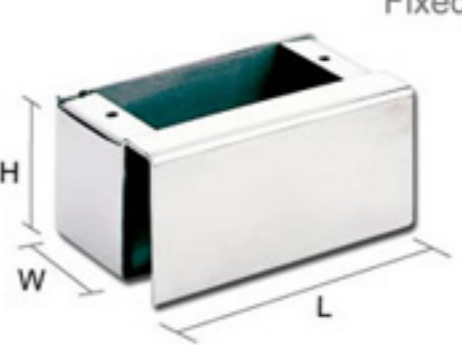
Deadbolt releaser is the device installed on the door panel to pair with the general deadbolt lock which is installed on the door jamb for auxiliary releasing the bolt during either in damaged or power failing condition. Especially for the fail safe type power bolt which is unable to release the bolt during power failure.

**Applications:**

For aluminum, steel, wooden or brass door



## Accessories for Power Bolts

Model No.	PG-B64	PG-DASTC-1	PG-DASTC-2	PG-STC
Appearance	Body:external hanging basket  Magnetic lump:external hanging basket 	Body:external hanging basket  Magnetic lump:external hanging basket 	Body:glass jig  Magnetic lump: glass jig 	Fixed bracket 
Operation	DA-64	DA-L62	DA-64 / DA-L62	DA-62A/D
Dimension(LxWxH)mm	Body: 211 x 45 x 50 Magnetic lump: 106 x 45 x 50	Body: 211 x 45 x 50 Magnetic lump: 110 x 45 x 50	Body: 210 x 22 x 50 Magnetic lump: 110 x 22 x 50	100 x 42 x 45



# PONGEE INDUSTRIES CO., LTD.

5F, NO. 738, Chung-Cheng Road, Chung-Ho District, New Taipei City 23511, Taiwan

Tel : 886-2-82280198 Fax : 886-2-82280191

E-mail : pongee@pongee.com.tw

http://www.pongee.com

©We reserve the right to change the specification without notice or obligation!